

Logistec



Logistec ES12-12CS Electric Stacker

Counterbalance Stacker, Better for non-standardised pallets.
Electric Steering System Makes the Operations Much Easier.

Logistec ES12-12CS Electric Stacker

Performance



- The innovative AC system offers strong power, accurate control, excellent performance.
- High strength vertical gearbox, longer working life.
- Low-noise but durable hydraulic unit, good quality cylinder as well as hose ensure the high reliability of hydraulic system.
- Low-noise but durable hydraulic unit, good quality cylinder as well as hose ensure the high reliability of hydraulic system.
- AMP connector and durable electric wires greatly reduce malfunctions of components.
- High strength chassis enhances the reliability and durability of the truck.
- Standard featured tilt mast cylinder design and controller monitoring the tilt speed smoothly and ensures safe performance.
- Heavy duty load wheel ensures stability.
- Compact design with small turning radius requirements

Safety



- Safe hydraulic system design prevents mast from falling down abruptly when hydraulic pipeline cuts off.
- Emergency reverse belly button protects the operator from getting hurt.
- Emergency disconnecter will cut off power source to avoid accident when truck goes out of control.
- Multiple lifting limit protection ensures safety.
- Automatic switch to lower speed when the fork reaches its setting height.
- Anti-rolling back brake keeps the truck from skidding down when truck is out of control or travelling on ramp.
- Dual-monitoring power steering.

Operation



- With the new design of ergonomic tiller head, all buttons can be reached conveniently & comfortably.
- Foldable platform reduces vibration which makes operator feel more comfortable.
- When platform folded, truck can work at low speed in smaller space.
- Adjustable forks, suitable for complicated pallets or cargos.
- Tilting as standard configuration, make operation easier.
- Side-open battery design for easy battery replacement and various applications.
- Electric power steering, smooth & comfortable (EPS).

Maintenance



- AC traction motor, maintenance free.
- Hour meter and battery indicator will remind the operator to recharge the battery.
- Easily remove the back cover by only loosening four bolts; Access to all key components for inspection, maintenance and replacement.
- Press-on load wheel reduces the maintenance cost.
- Vertical motor makes the inspection & service much more convenient.
- Control system allows easy trouble-shooting.
- Mast and chassis are assembled together, easy for maintenance.
- Low voltage cut off setting protects batteries.

Logistec ES12-12CS Electric Stacker

Specifications

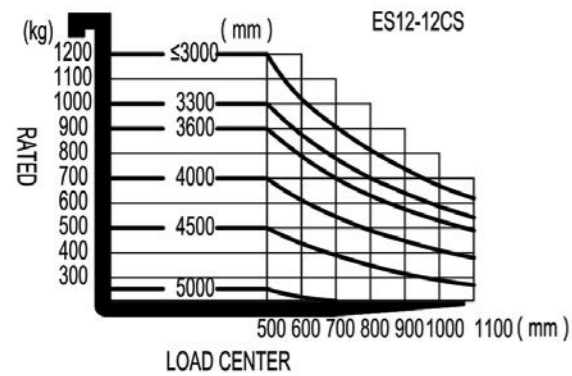
Distinguishing mark	1.1	Manufacturer		Logistec		
	1.2	Model designation		ES12-12CS		
	1.3	Drive unit		Electric		
Service Weight	1.4	Operator type		pedestrian		
	1.5	Rated capacity	q	kg	1200	
	1.6	Load center distance	c	mm	500	
Tyres/chassis	1.8	Load distance centre of drive axle to fork	x	mm	208	
	1.9	Wheelbase	y	mm	1244	
	2.1	Service weight (include battery)		kg	1860	
	2.2	Axle loading, laden driving side/loading side		kg	375/2685	
	2.3	Axle loading, unladen driving side/loading side		kg	1060/800	
	3.1	Tyre type Driving wheels/Loading wheels			polyurethane/polyurethane	
	3.2	Tyre size, driving wheels (diameter×width)		mm	φ230 × 75	
	3.3	Tyre size, loading wheels (diameter×width)		mm	φ254 × 102	
	3.4	Tyre size, caster wheels (diameter×width)		mm	/	
	3.5	Wheels, number driving caster/loading (x=drive wheels)		mm	1x, 0/2	
Dimensions	3.6	Track width, front, driving side	b10	mm	787	
	3.7	Track width, rear, loading side	b11	mm	/	
	4.1	Tilt of mast/fork carriage forward/backward	α/β	°	1.5/6	
	4.2	Height, mast lowered	h1	mm	2110	
	4.3	Free lift	h2	mm	150	
	4.4	Lift height	h3	mm	3330	
	4.5	Height, mast extended	h4	mm	4185	
	4.9	Height drawbar in driving position min./max.	h14	mm	1013/1402	
	4.10	Height of wheel arms	h8	mm	282	
	4.19	Overall length	l1	mm	2835	
	4.20	Length to face of forks	l2	mm	1738	
	4.21	Overall width	b1 b2	mm	850/900	
	4.22	Fork dimensions	s/e/l	mm	40/100/1070	
	4.24	Fork carriage width	b3	mm	800	
	4.25	Outside width of the forks	b5	mm	200-760	
	Performance data	4.31	Ground clearance, laden, below mast	m1	mm	78
		4.32	Ground clearance, center of wheelbase	m2	mm	70
4.34.1		Aisle width for pallets 1000 × 1200 crossways	Ast	mm	3085	
4.34.2		Aisle width for pallets 800 × 1200 lengthways	Ast	mm	3200	
4.35		Turning radius	Wa	mm	1535	
5.1		Travel speed, laden/ unladen		km/h	5.5/6.0	
5.2		Lifting speed, laden/ unladen		m/s	0.127/0.23	
Electric-engine	5.3	Lowering speed, laden/ unladen		m/s	0.26/0.2	
	5.8	Max. gradeability, laden/unladen		%	5.0/8.0	
	5.10	Service brake type			Electromagnetic	
	6.1	Drive motor rating S2 60 min		kw	1.5	
	6.2	Lift motor rating at S3 15%		kw	2.2	
Addt-Data	6.3	The maximum allowed size battery		mm	810/230/open	
	6.4	Battery voltage/nominal capacity K5		V/Ah	24/210	
	6.5	Battery weight		kg	190	
Addt-Data	8.1	Type of drive unit			AC	
	10.5	Steering type			Electronic	
	10.7	Sound pressure level at the driver's ear		dB(A)	74	

If there are improvements of technical parameters or configurations, no further notice will be given. The diagram shown may contain non-standard configurations.

Specifications

Lift h3 (mm)	mast types	Lowered mast height h1 (mm)	Free lift h2 (mm)	5415Extended mast height h4 (mm)
2530	Duplex ZT	1710	150	3385
2730		1810	150	3585
3030		1960	150	3885
3330		2110	150	4185
3630		2260	150	4485
3930		2410	150	4485
4000	Troplex DZ	1822	904	4785
4500		2022	1104	4915

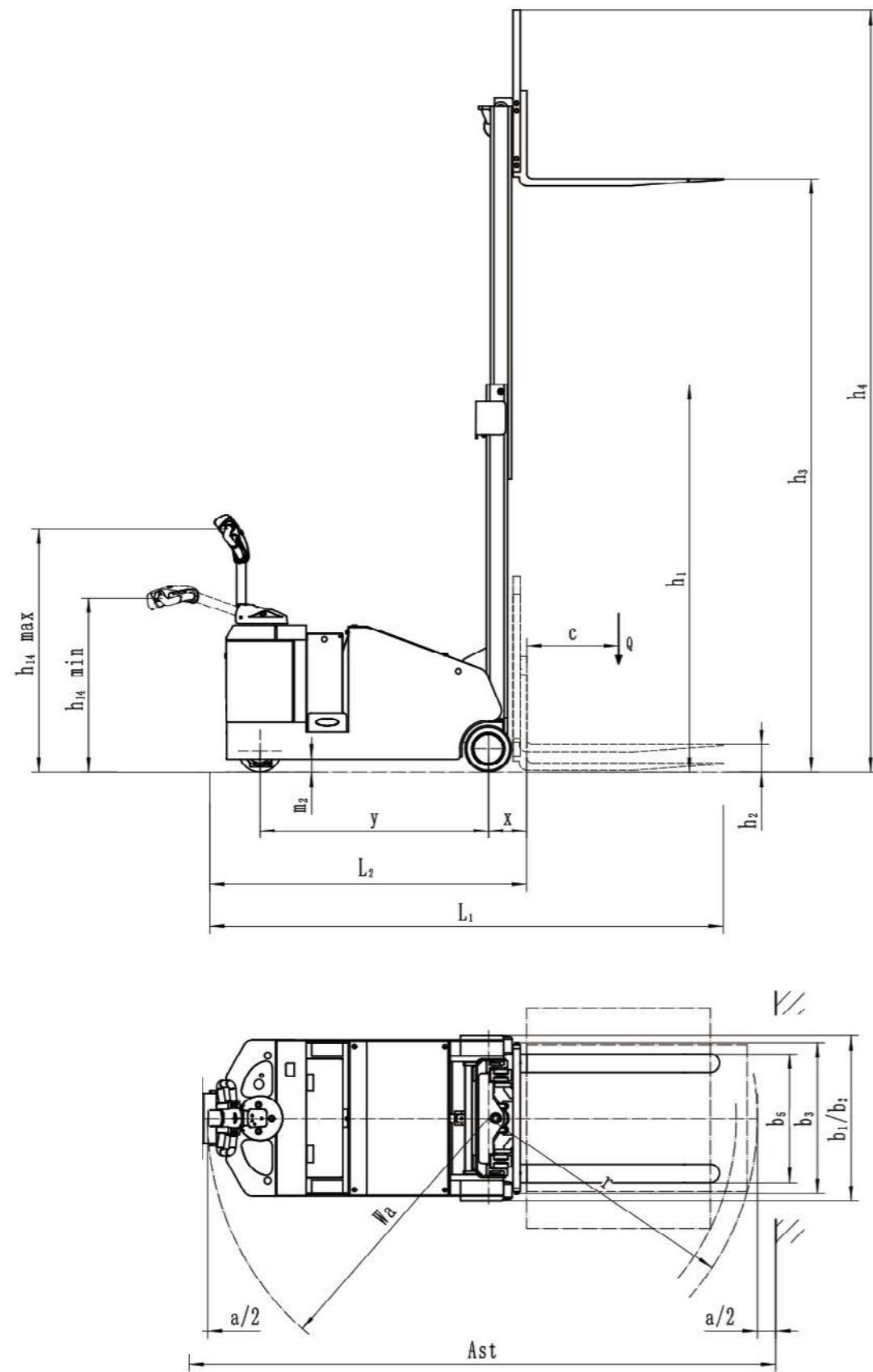
Rated Capacities Graph



Options

No.	Option items	ES12-12CS
3	Fork length	● 1070
4	Fork width	● 200-760 (Adjustable)
10	Driving wheel	● PU
17	Battery indicator with hour meter	●
18	Battery indicator without hour meter	○
19	Battery capacity	○ 280Ah/224Ah (Maintenance-free)
20	Lateral change battery	○
22	Water auto-filling system	○
26	Proportional lifting	○
27	Height limitation	●
30	Side shift	○
31	half speed function in turning	●

Note ● Standard ○ Optional - Inconformity





www.sitecraft.net.au | 1300 363 152 | sales@sitecraft.com.au